



# Guardian™ GPC-R3

## Body Camera



### SPECIFICATIONS

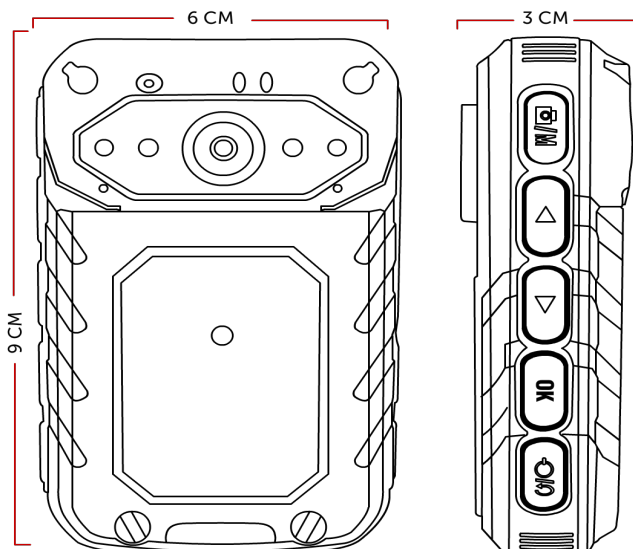
<b>View Angle</b>	110° wide view angle
<b>Wireless Transmission</b>	Transfer video, audio, and images over 3G, 4G, and Wifi
<b>GPS Enabled</b>	Yes
<b>4G Network</b>	TD-SCDMA, WCDMA, TD-LTE, FDD-LTE
<b>Wifi Enabled</b>	Yes
<b>Display</b>	2.0" HD LCD display
<b>Focus Range</b>	.5 meters to infinity
<b>Storage Capacity</b>	Up to 128GB
<b>Video</b>	1920 × 1080, 1440 × 1080, 1280 × 720, 848 × 480; MP4 format
<b>Photo</b>	16 mega pixel; 5312 × 2992; JPEG format
<b>Night Vision</b>	Visibility up to 10 meters
<b>Battery Life</b>	12 hours
<b>Charging Time</b>	3 hours
<b>Battery</b>	Replaceable lithium
<b>Weight</b>	5.9 ounces
<b>Dimensions</b>	3.5 × 2.37 × 1.18 Inch (90 × 60 × 30 mm)
<b>Operating Temperature</b>	-22°F to 140°F
<b>Drop Resistance</b>	More than 3 meters
<b>Protection Grade</b>	IP67
<b>Warranty</b>	2 years

\* The latest product information / specification can be found at [www.guardianbodycam.com](http://www.guardianbodycam.com)

### KEY FEATURES

- + Body-Worn Surveillance Camera
- + Designed for Law Enforcement Officers
- + Record Up to Full HD 1080p Video & Audio
- + Built in 3G, 4G, Wifi, and GPS
- + Two Way Audio Communication
- + Up to 128GB Storage
- + 2.0 Inch HD LCD Display
- + Replaceable Lithium Battery
- + LCD with Speaker for Playback and Review
- + PTT Support, Laser Pointer, Built-In Flashlight

### DIMENSIONS



### ACCESSORIES



\* Data recorded on an SD memory card may be lost or damaged by data access during power-off, mechanical shock, memory card detachment, or other operations. Data loss or damage can also occur when a memory card reaches end of life, which varies according to operational conditions. No guarantee is given against damage (including passive damage).